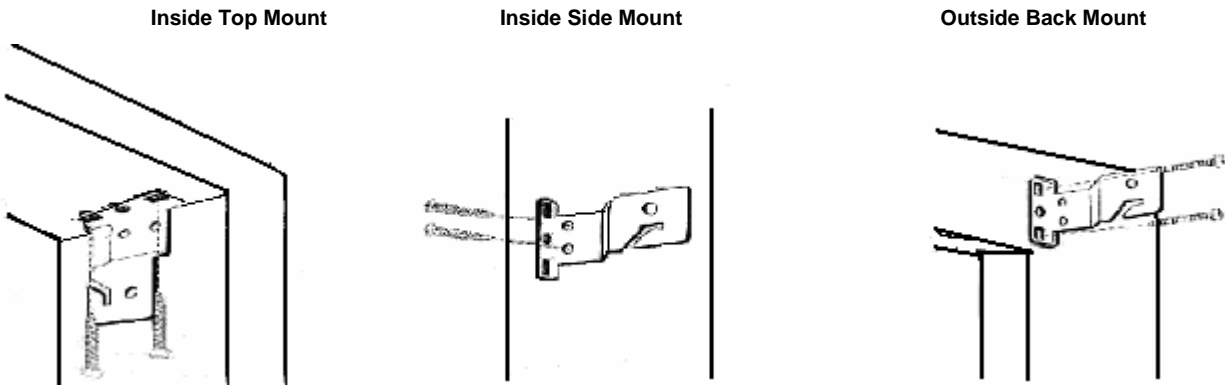
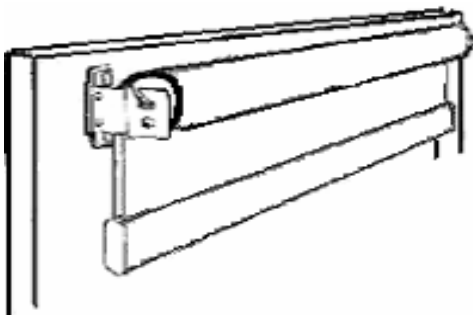


SPRING ROLLER SHADE INSTALLATION INSTRUCTIONS

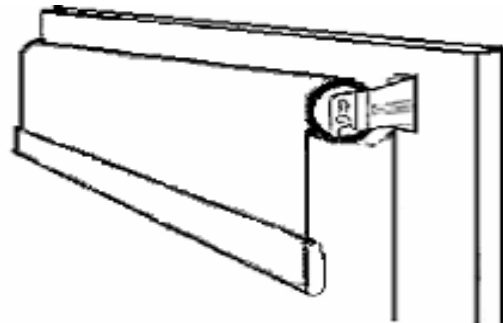
- 1. MOUNT THE BRACKETS.** Attach the brackets to the window frame, window molding, wall or ceiling based on mount type and roll type shown below – align pins on both brackets.



Regular Roll (Open slot w/ lock pin arm on LEFT)



Reverse Roll (Open slot w/ lock pin arm on RIGHT)



- 2. INSTALL THE SHADE.** Slide the end with the round pin into the bracket without the slot. Slide the end with the flat pin into the open slot with the locking pin arm. Rotate the locking pin to lock the shade into position.
- 3. OPERATE THE SHADE.** Pull shade down using hem bar. Raise shade by gently tugging on the hem bar until tension catches and raises the shade.
- 4. REMOVE THE SHADE.** Roll the material completely up onto the shade roll. Rotate the pin bracket into the open position and with a firm grasp of the shade, pull upwards and outwards to remove the shade.



PRODUCT LIABILITY

Halcyon Shades offer unrivaled solar protection, flexibility and performance with emphasis on safety.

Halcyon Shades are designed to comply with the American National Standard for Safety of Corded Window Covering Products, (ANSI/WCMA A100.1 2002) sponsored by the Window Covering Manufacturers Association.

When properly installed, the cord tension device provided with the Halcyon™ Shades can prevent a child from pulling the cord around its neck.

Materials used in Halcyon Shades contain less than .02% lead per weight per window covering.

Halcyon Shades will not pull free during use when the mounting clips are properly installed.

HALCYON SHADES HEREBY DISCLAIMS LIABILITY FOR ANY INCIDENTAL, SPECIAL, CONSEQUENTIAL OR PUNITIVE DAMAGES ARISING FROM ANY DEFECT IN THE PRODUCT COVERED BY THE PRODUCT WARRANTY, EXCEPT DURING THE APPLICABLE LIMITED WARRANTY PERIOD SET FORTH IN THE PRODUCT WARRANTY. For complete warranty information, refer to the Halcyon Shades Warranty form FSL0005.



Young children can STRANGLE in cord and bead chain loops. They can also wrap cords around their necks and STRANGLE.

- Always keep cords and bead chains out of children’s reach.
- Move cribs, playpens and other furniture away from cords and bead chains. Children can climb furniture to get to cords.
- Attach tension device to wall or floor. This can prevent children from pulling cords and bead chains around their necks.

PRODUCT WARRANTY

Halcyon Shades (“Seller”) warrants that the goods, materials or product to which this documents refers (herein) elsewhere referred as (“Product”) will meet sellers’ standard specifications and be free from material and workmanship defects in manufacturing.

Halcyon Shades material is warranted for the periods specified below from the date of original purchase when properly installed as an interior shade in accordance with manufacturer’s instructions. Halcyon Shades material will maintain reflective properties without crazing or cracking.

Halcyon Shades Embossed.....5 Years
Halcyon Shades Traditional.....3 Years

Seller shall not be liable under any circumstances for any damage or reduction in performance directly or indirectly resulting from misuse or improper application or daily wear and tear.

The warranty coverage is limited to the owner of the property at the time of installation and is not transferable.

In order to obtain replacement of the Halcyon Shades, the information contained in the installation record or bill of sale furnished at the time of purchase, which includes evidence that the product is Halcyon Shades, together with a description of the specific defect should be sent to Solutia Halcyon Shades Warranty Services, Post Office Box 66760 St Louis, MO 6316 Proof of purchase is also required in order to obtain warranty coverage. It is therefore recommended that the purchaser retain the completed installation record or sales receipt and original copy of this warranty.

HALCYON SHADES HEREBY DISCLAIMS LIABILITY FOR ANY INCIDENTAL, SPECIAL, CONSEQUENTIAL OR PUNITIVE DAMAGES ARISING FROM ANY DEFECT IN THE PRODUCT COVERED BY THIS WARRANTY, EXCEPT DURING THE APPLICABLE LIMITED WARRANTY PERIOD SET FORTH ABOVE, HALCYON SHADES HEREBY EXCLUDES AND DISCLAIMS ANY AND ALL OTHER EXPRESS OR IMPLIED WARRANTIES, INCLUDING THE WARRANTIES OF MERCHANTABILITY AND FITNESS FOR A PARTICULAR PURPOSE. Manufacturer’s sole obligation to the owner/purchaser, whether claim be based in contract, negligence, tort or otherwise, shall be solely as provided hereunder and damages and remedies shall be as provided hereunder.

Some states/provinces do not allow the exclusion or limitation of incidental or consequential damages or limitations on how long an implied warranty lasts, so the above limitations may not apply to you. This warranty gives you specific legal rights and you may have other rights, which may vary from state/provinces to state/provinces.

This limited warranty is void if the shade is subject to abuse or improper care resulting in scratching or damaging.

This limited warranty or any part of it is void only where expressly prohibited by law. Halcyon Shades is not warranted in any way, except as expressly stated in this limited warranty and by operation of law.